

# **A Block Storage Multi-Protocol Converter:**

**The core for versatile data storage products.**



# TechnoMages, Inc.

- Privately held company: HQ in Maryland
- Focuses on Disk and Tape Storage management
- Develops software for versatile, adaptable volume-management
- Integrates this software into disk arrays and router appliances

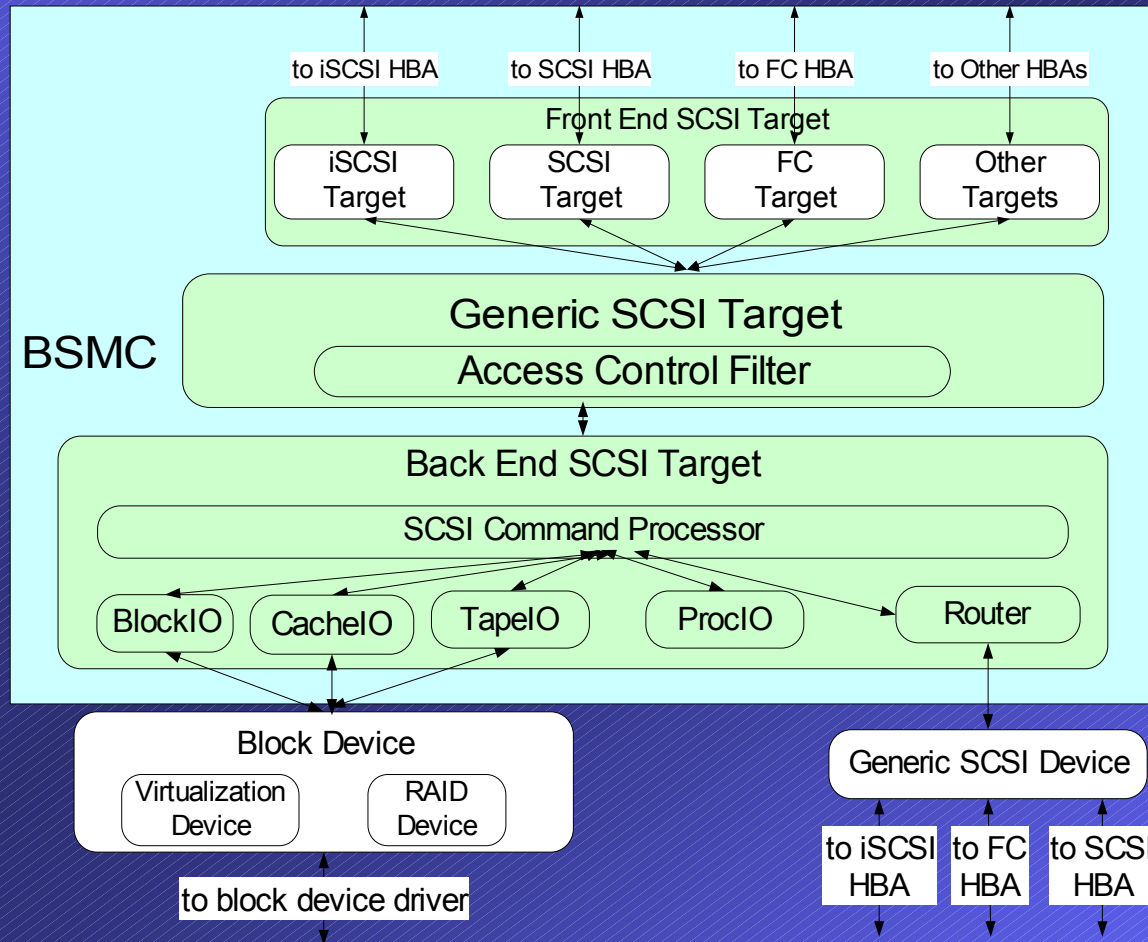


# Block Storage Multi-Protocol Converter

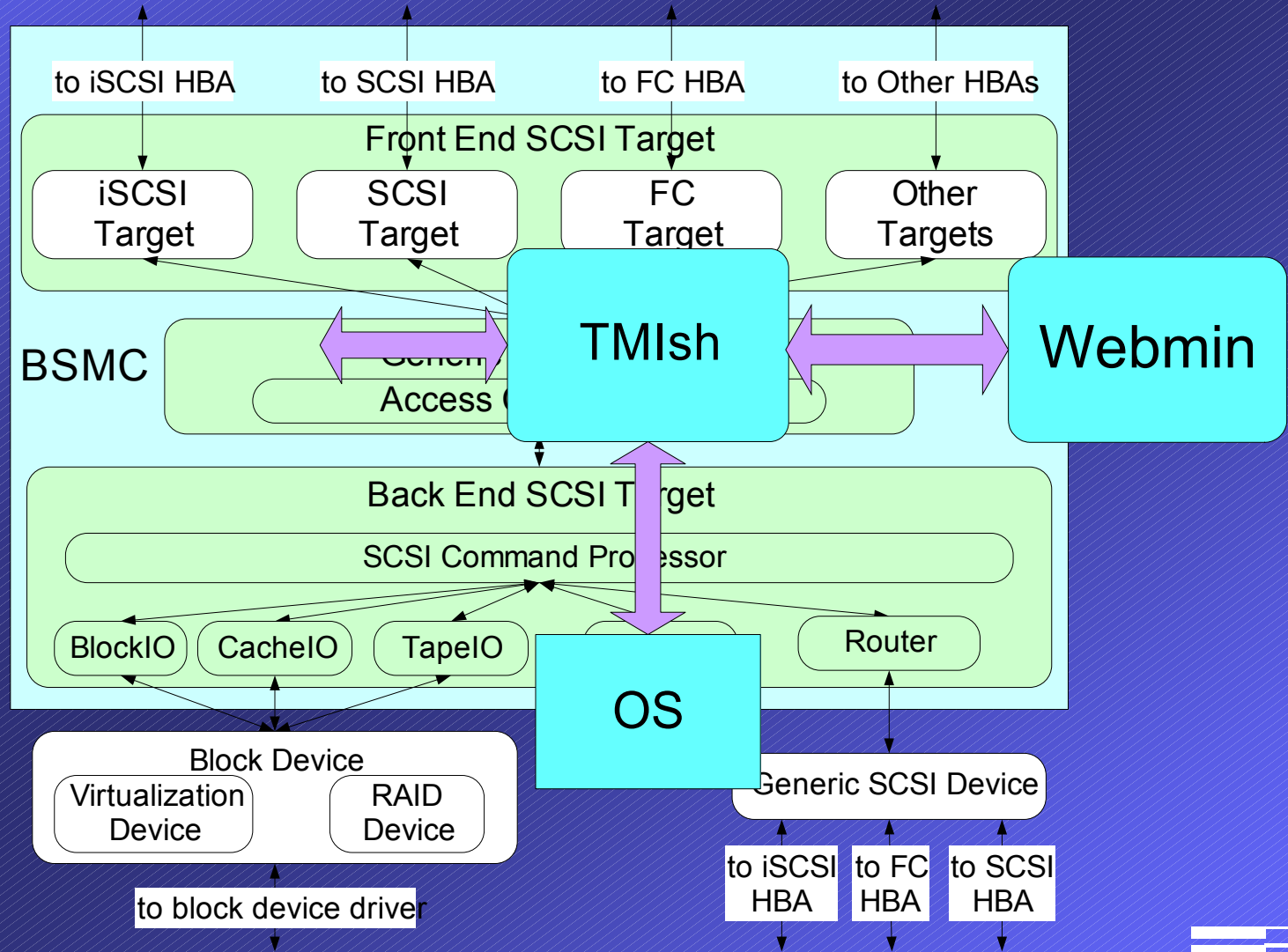
- Kernel-level router of SCSI Commands and Data
- Capable of any-to-any routing between targets and initiators that are cabled via...
  - Ultra160 SCSI (Ultra320 coming) [SPI-2,3,4]
  - FibreChannel (1 and 2 Gbps) [FCP]
  - Ethernet [iSCSI]
  - Other IP transports (ATM, other WAN) [iSCSI]
  - EIDE (initiator only) [ATA]
- Commercial name: DTP (“Data Transport Processor”)
  - Subsets of the BSMC’s capabilities
  - GUI and CLI configuration tools
  - Packaged in embedded OS



# Internal Structure of BSMC



# Internal Structure of DTP

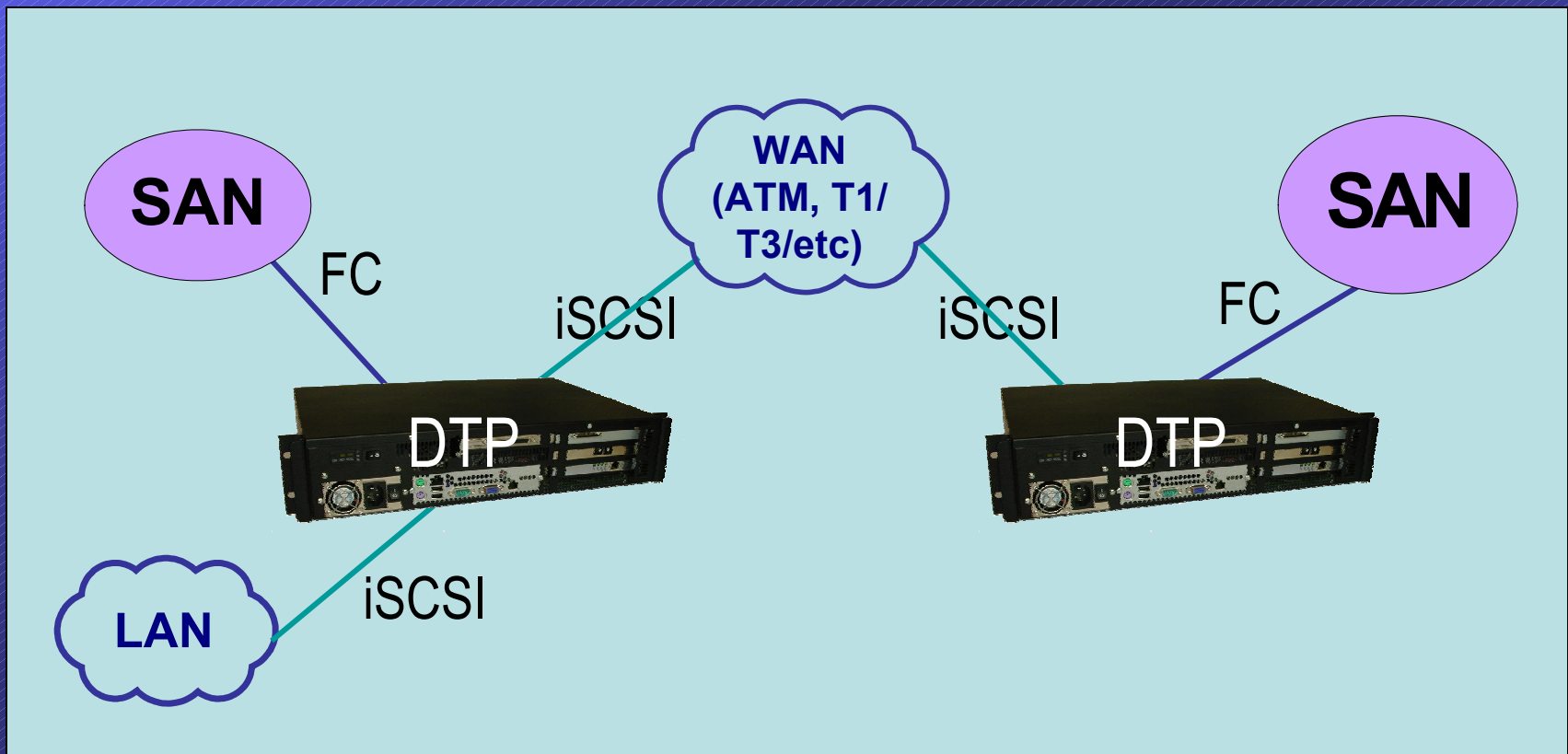


# Performance

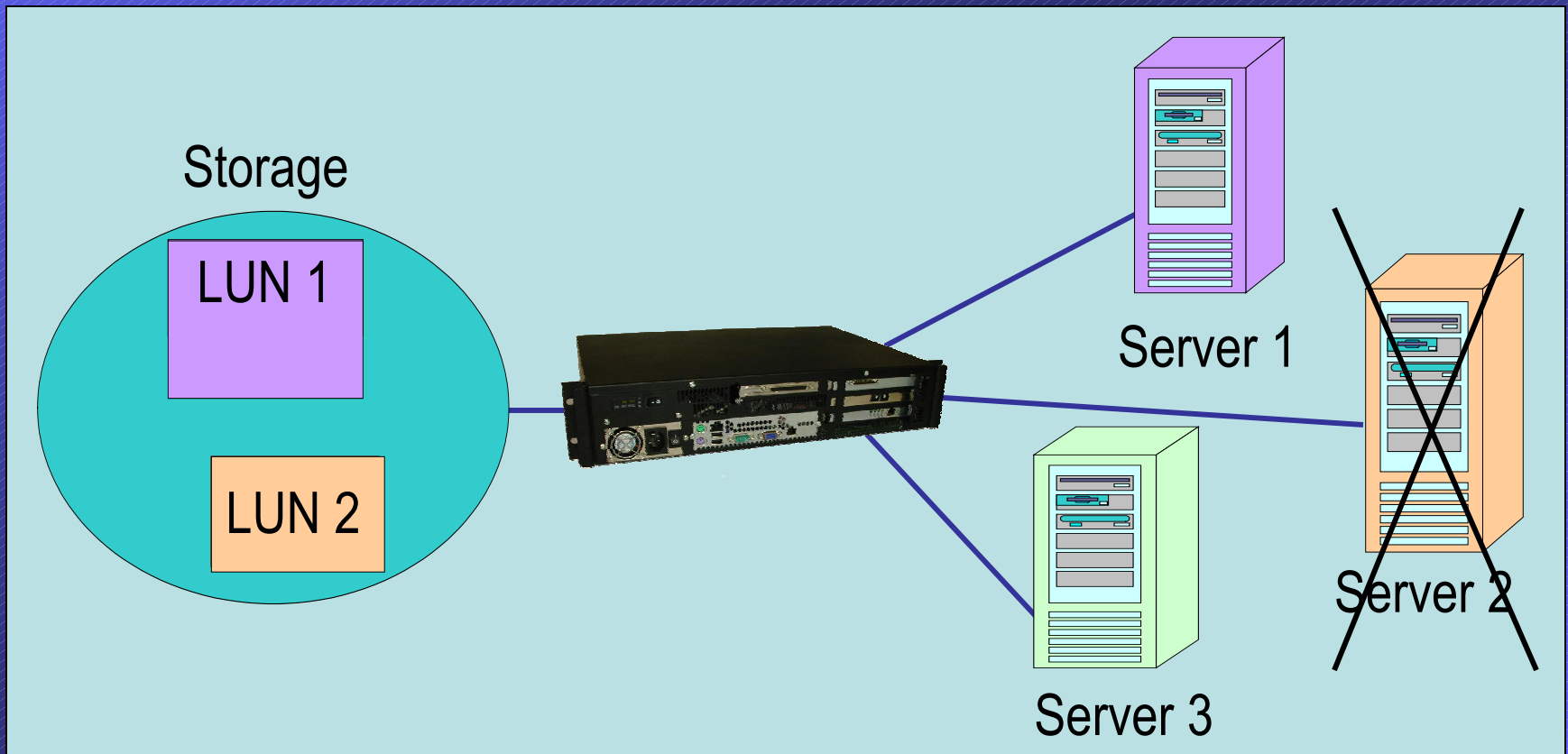
- The engine is PCI bound: currently about 1000 MB/sec theoretical max throughput
- InfoSlice with SCSI disks is disk bound, with ATA disks is ATA interface bound
- Can saturate two 2 Gbps FC links
- Best iSCSI over a single Gig-E result today is ~70 MB/sec



# Uses of DTP: Protocol Interconnect capabilities



# Uses of DTP: LAN Management





# BSMC: the flexible core of storage management products



- Interface conversion:
  - SCSI
  - Fibre Channel
  - iSCSI
- LUN management:
  - Logical Volume Management
  - RAID
  - Access Control



# InfoSlice: multi-interface disk array



- All of the DTP capabilities
- Interfaces: any mix of
  - iSCSI (Gig-E available)
  - SCSI (U-160)
  - Fibre Channel (1 and 2 Gbps)
- RAID 0, 1, 10, 5
- SCSI or ATA disks
- 3 form factors, from 0.25 TB to 4 TB
- Initiator interfaces for connecting tape drives et al. to many servers



# Questions?

An annotated copy of this presentation and information about TMI's products can be found at <http://www.technomagesinc.com>

